



240e TrioBrake

Spare parts

Ersatzteile

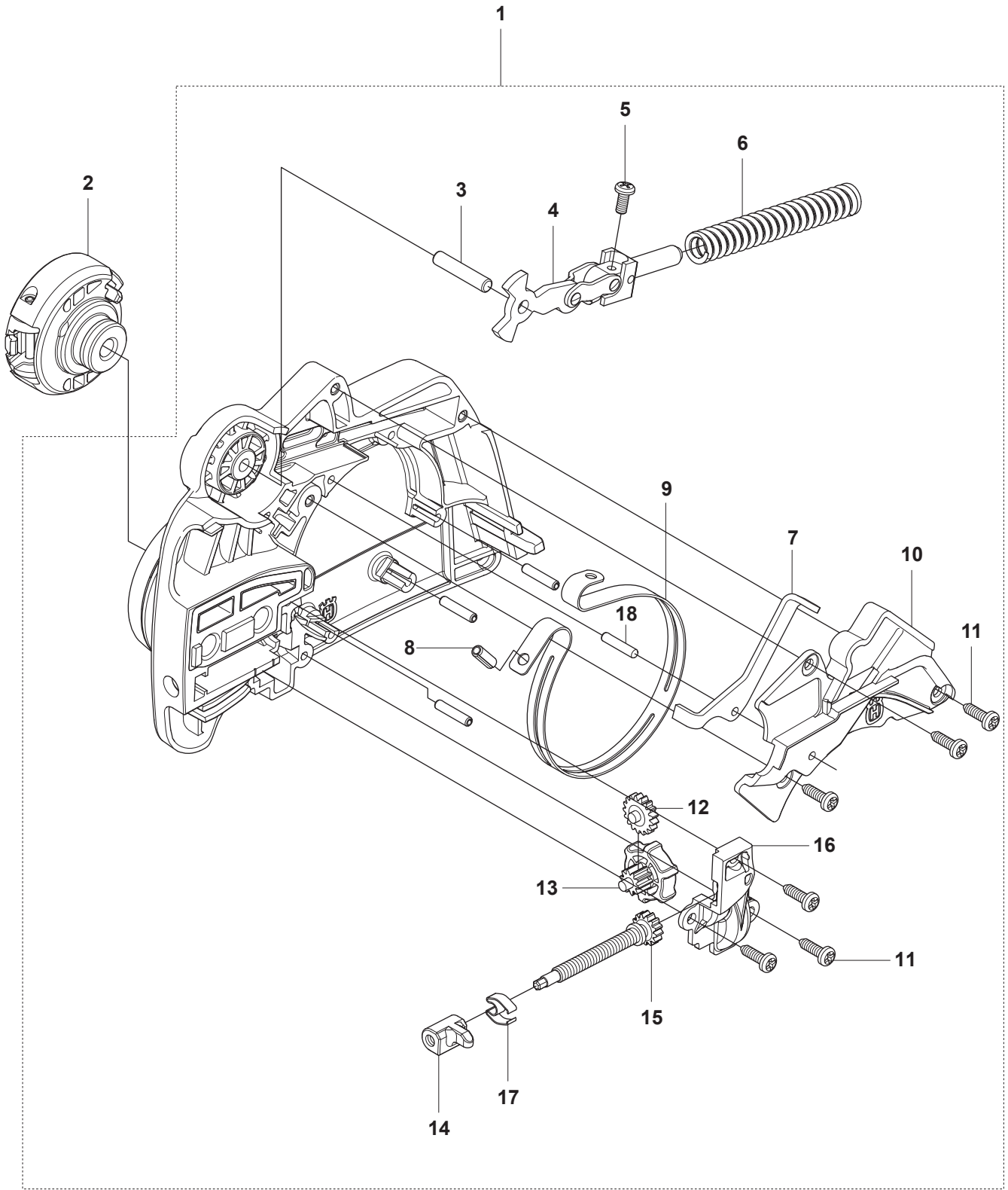
Pièces détachées

Reserve onderdelen

Repuestos

Reservdelar

A 240e TrioBrake



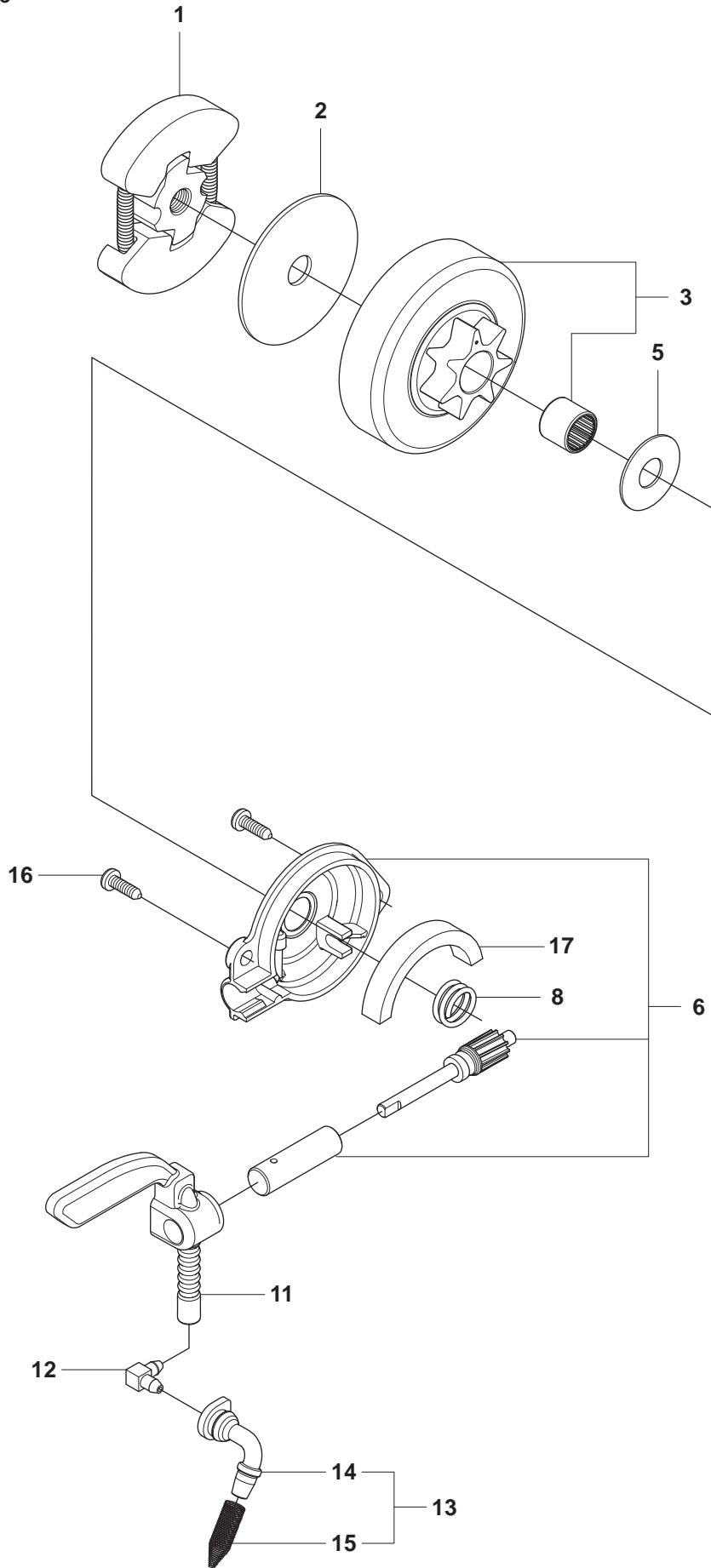
19



Page A 240e TrioBrake CHAIN BRAKE ASSY

| Position | Article | Quantity | Description | Kit |
|-----------------|----------------|-----------------|---------------------------|------------|
| 1 | 574 22 19-01 | 1 | CHAIN BRAKE ASSEMBLY | |
| 2 | 545 14 64-01 | 1 | ASSEMBLY KNOB EZT | |
| 3 | 530 05 79-50 | 1 | PIN, DOWEL | 1 |
| 4 | 575 24 15-01 | 1 | ASSY, FRONT LINK | 1 |
| 5 | 530 01 59-11 | 1 | M3.83 X 1.81 X 9 PLASTITE | 1 |
| 6 | 530 01 64-15 | 1 | SPRING COMPRESSION | 1 |
| 7 | 545 21 55-01 | 1 | LEVER, ACTIVATION | 1 |
| 8 | 530 01 59-13 | 1 | PIN, BAND RETAINER | 1 |
| 9 | 530 05 79-23 | 1 | BRAKE BAND | 1 |
| 10 | 545 21 56-01 | 1 | COVER, BRAKE BAND | 1 |
| 11 | 545 22 71-01 | 6 | SCP#6-19 X .437 .PL. PAN. | 1 |
| 12 | 545 06 02-01 | 1 | GEAR, IDLER | 1 |
| 13 | 525 88 42-01 | 1 | WHEEL, GEAR ADJUSTER | 1 |
| 14 | 574 20 17-01 | 1 | PIN, BAR ADJUSTING | 1 |
| 15 | 545 06 59-01 | 1 | ASSY ADJUSTER SCREW | 1 |
| 16 | 545 05 92-01 | 1 | COVER, GEAR | 1 |
| 17 | 545 14 93-01 | 1 | CLIP, EZT SPRING | 1 |
| 18 | 545 21 53-01 | 1 | PIN, DOWEL | 1 |
| 19 | 545 11 86-01 | 1 | DECAL, EZT CLUTCH COVER | |

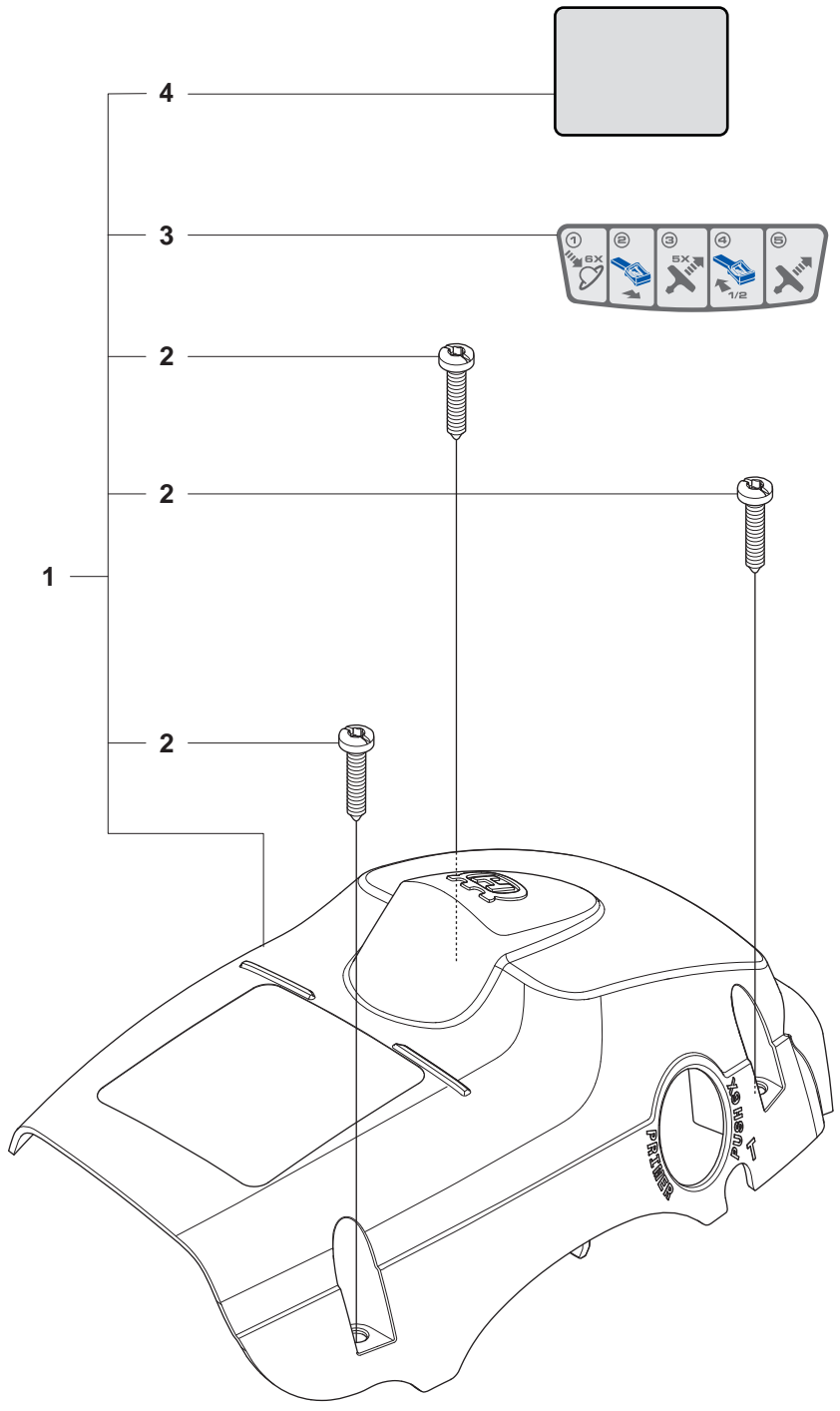
B 240e TrioBrake



Page B 240e TrioBrake CLUTCH AND OIL PUMP

| Position | Article | Quantity | Description | Kit |
|-----------------|----------------|-----------------|---------------------------|------------|
| 1 | 530 01 49-49 | 1 | ASSY- CLUTCH | |
| 2 | 530 01 56-11 | 1 | WASHER, CLUTCH (LARGE) | |
| 3 | 530 04 70-61 | 1 | 3/8-6 TOOTH DRUM ASEMBLY | |
| 3 | 530 04 81-32 | 1 | .325-7 TOOTH DRUM ASEMBLY | |
| 5 | 530 01 59-07 | 1 | WASHER, THRUST | |
| 6 | 574 71 93-01 | 1 | ASSEMBLY OIL PUMP | |
| 8 | 530 03 78-20 | 1 | GEAR- WORM | |
| 11 | 545 22 75-01 | 1 | OIL BLOCK | |
| 12 | 530 04 94-77 | 1 | ELBOW FITTING | |
| 13 | 545 06 95-01 | 1 | PICK UP ASSEMBLY OIL TANK | |
| 14 | 545 06 94-01 | 1 | PICK-UP SEAL | 13 |
| 15 | 530 05 65-33 | 1 | SPRING, FILTER | 13 |
| 16 | 545 22 71-01 | 2 | SCP#6-19 X .437 .PL. PAN. | |
| 17 | 525 31 84-01 | 1 | SEAL OIL PUMP | |

C 240e TrioBrake

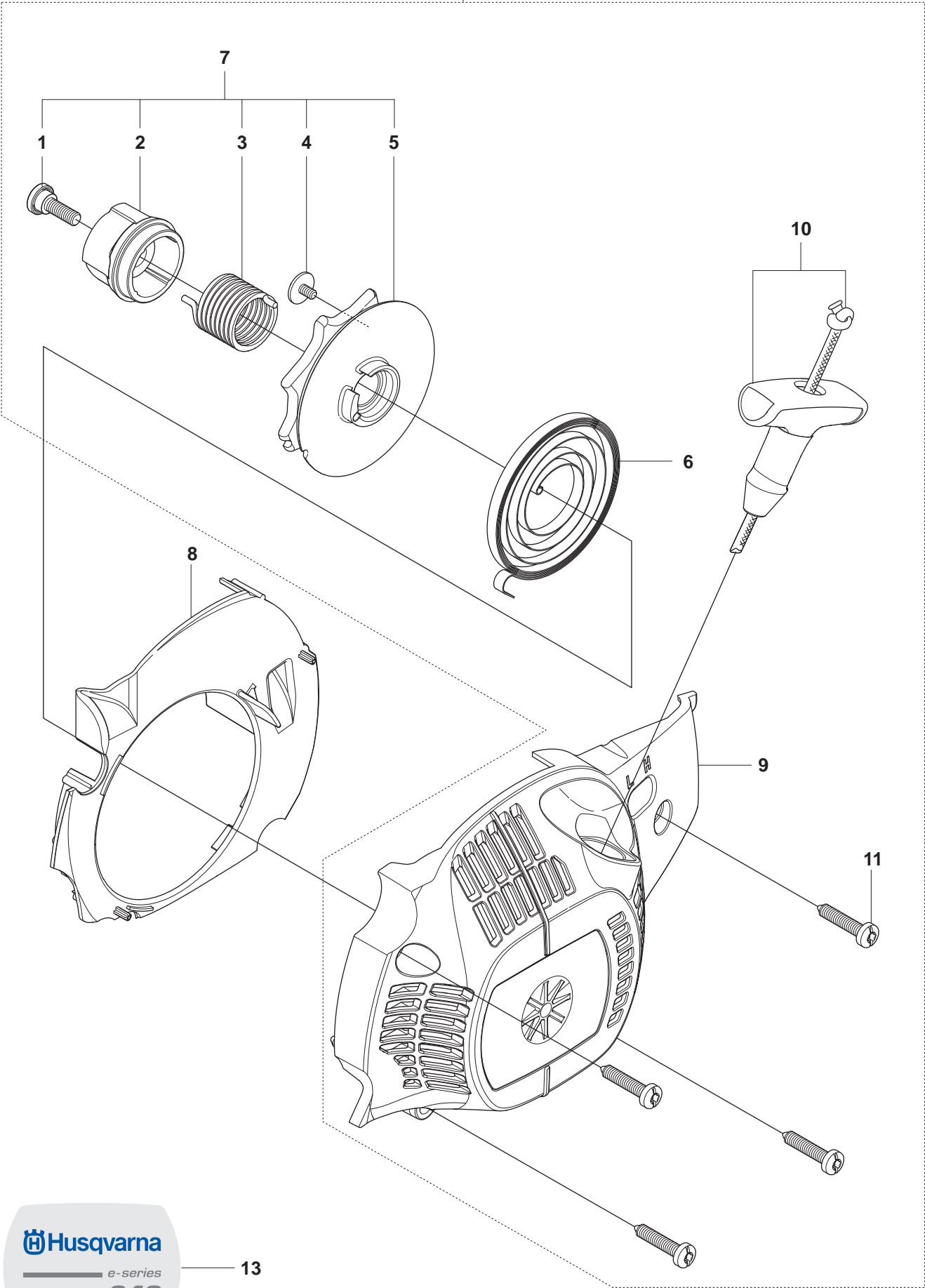


Page C 240e TrioBrake COVER

| Position | Article | Quantity | Description | Kit |
|-----------------|----------------|-----------------|-----------------------------|------------|
| 1 | 545 06 13-01 | 1 | KIT CYLINDER SHIELD | |
| 2 | 574 32 06-01 | 3 | SCREW, CYLINDER SHIELD | 1 |
| 3 | 545 11 65-02 | 1 | DECAL, STARTING INSTRUCTION | 1 |
| 4 | 545 16 59-57 | 1 | GLOBAL WARNING DECAL | 1 |

D 240e TrioBrake

12



Husqvarna

e-series

240

PAT. PEND.

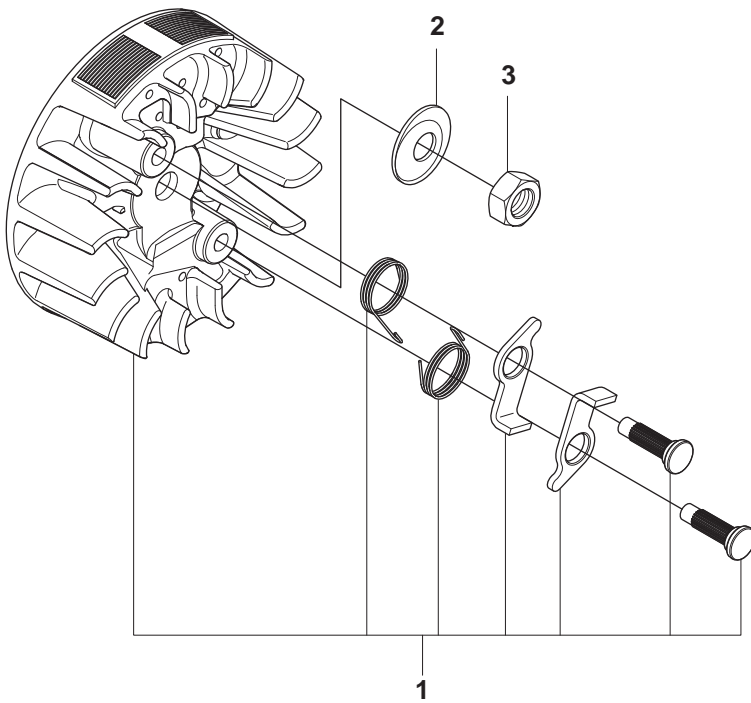
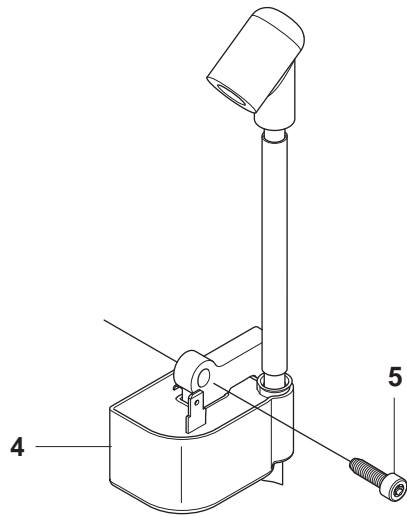
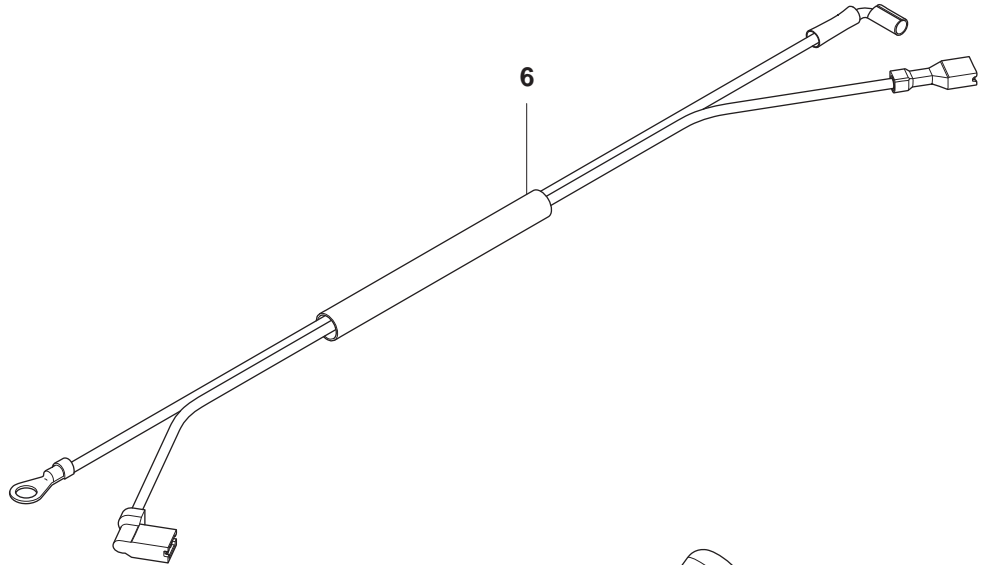
X-TORQ

13

Page D 240e TrioBrake EPS STARTER

| Position | Article | Quantity | Description | Kit |
|-----------------|----------------|-----------------|-----------------------------|------------|
| 1 | 530 02 11-79 | 1 | SCREW SHOULDER | 7,12 |
| 2 | 530 05 96-77 | 1 | STARTER HUB EPS | 7,12 |
| 3 | 530 02 11-80 | 1 | SPRING EPS | 7,12 |
| 4 | 530 01 60-80 | 1 | SCREW, ROPE RETAINER | 7,12 |
| 5 | 545 05 82-01 | 1 | PULLEY- STARTER EPS | 7,12 |
| 6 | 530 04 20-95 | 1 | SPRING- RECOIL | 12 |
| 7 | 530 07 19-66 | 1 | KIT, EPS STARTER 235e/240e | 12 |
| 8 | 545 06 38-01 | 1 | BAFFLE | |
| 9 | 545 06 37-01 | 1 | FAN HOUSING | 12 |
| 10 | 545 01 00-10 | 1 | HANDLE & ROPE assy | 12 |
| 11 | 530 01 64-32 | 4 | SCREW, FAN HOUSING | 12 |
| 12 | 545 00 80-24 | 1 | KIT, COMPLETE EPS 235e/240e | |
| 13 | 545 11 85-01 | 1 | DECAL 240e | |

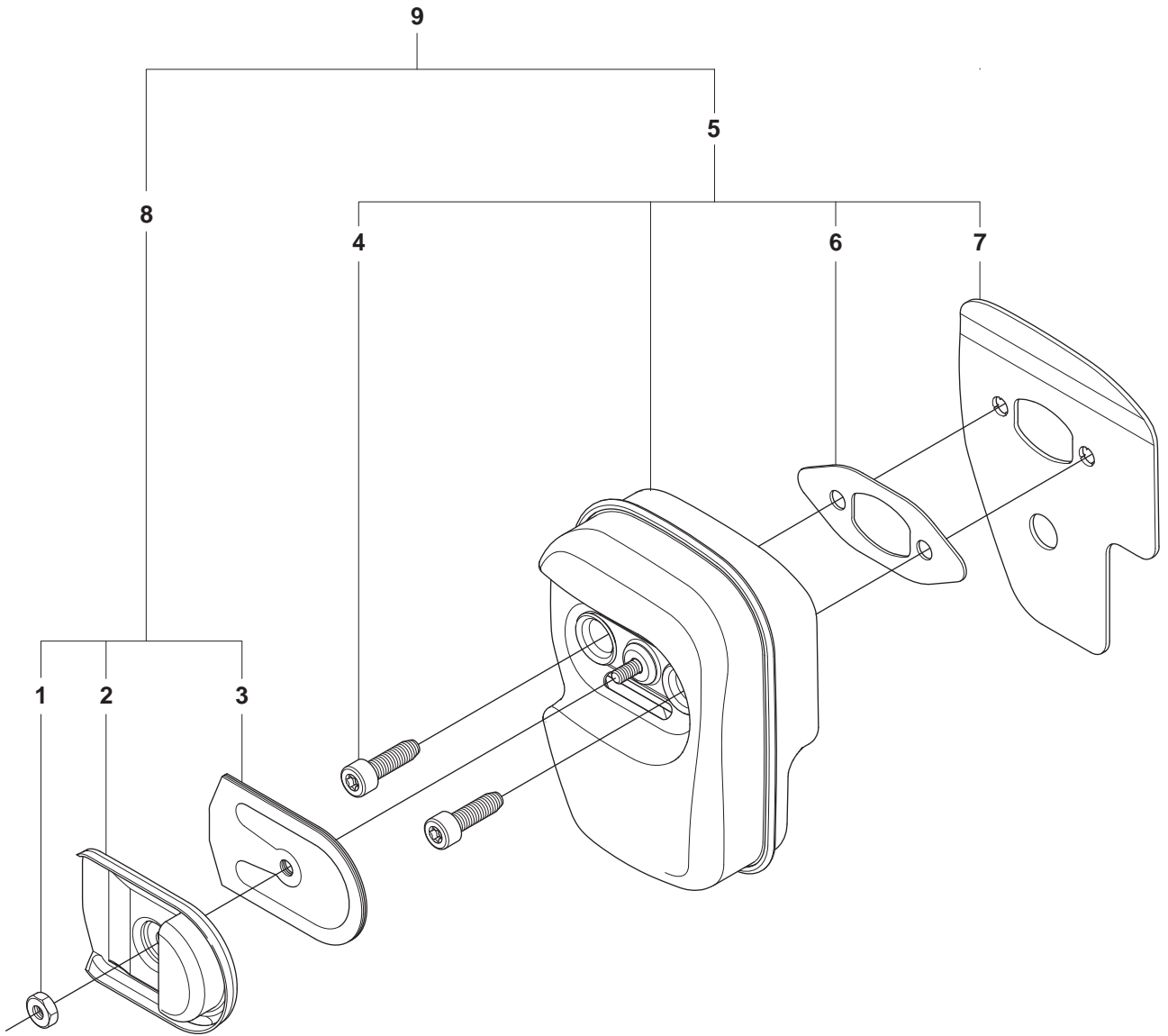
E 240e TrioBrake



Page E 240e TrioBrake IGNITION SYSTEM

| Position | Article | Quantity | Description | Kit |
|-----------------|----------------|-----------------|--------------------|------------|
| 1 | 530 03 91-47 | 1 | FLYWHEEL ASSY | |
| 2 | 530 01 51-27 | 1 | WASHER, FLYWHEEL | |
| 3 | 530 01 61-34 | 1 | NUT, FLYWHEEL | |
| 4 | 545 19 99-01 | 1 | MODULE- IGNITION | |
| 5 | 545 12 19-01 | 2 | SCREW, IGN MODULE | |
| 6 | 545 07 99-01 | 1 | ASSY- WIRE HARNESS | |

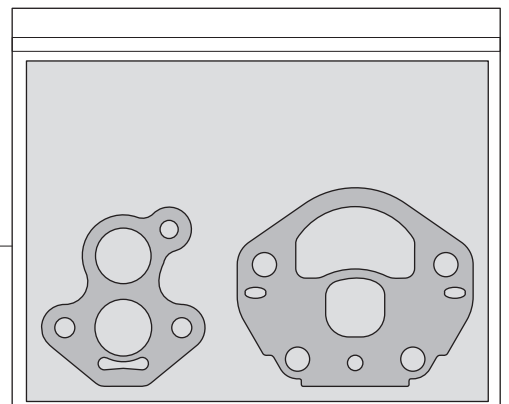
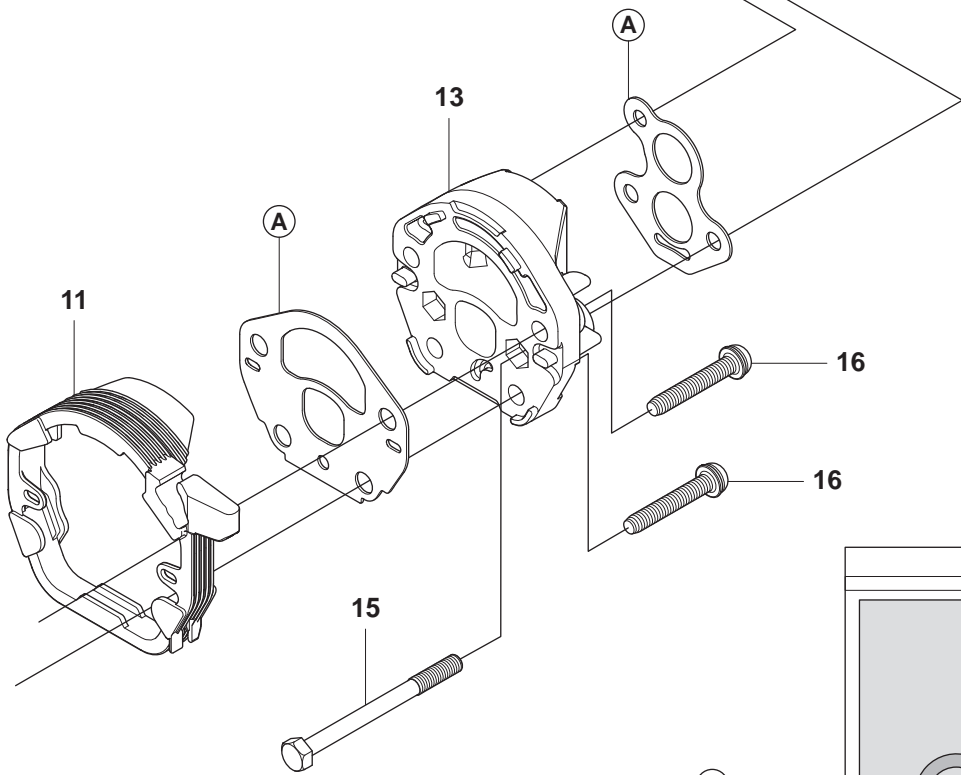
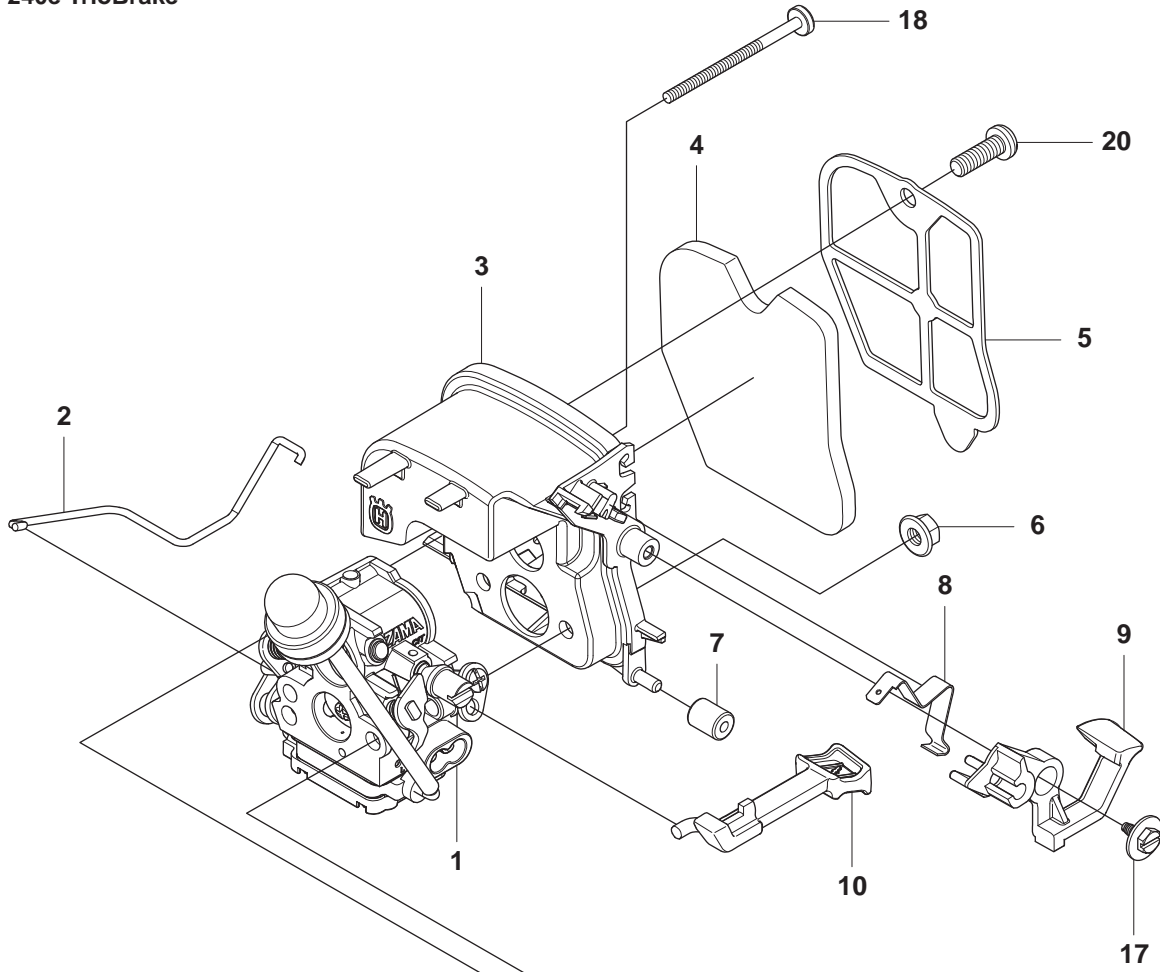
F 240e TrioBrake



Page F 240e TrioBrake MUFFLER

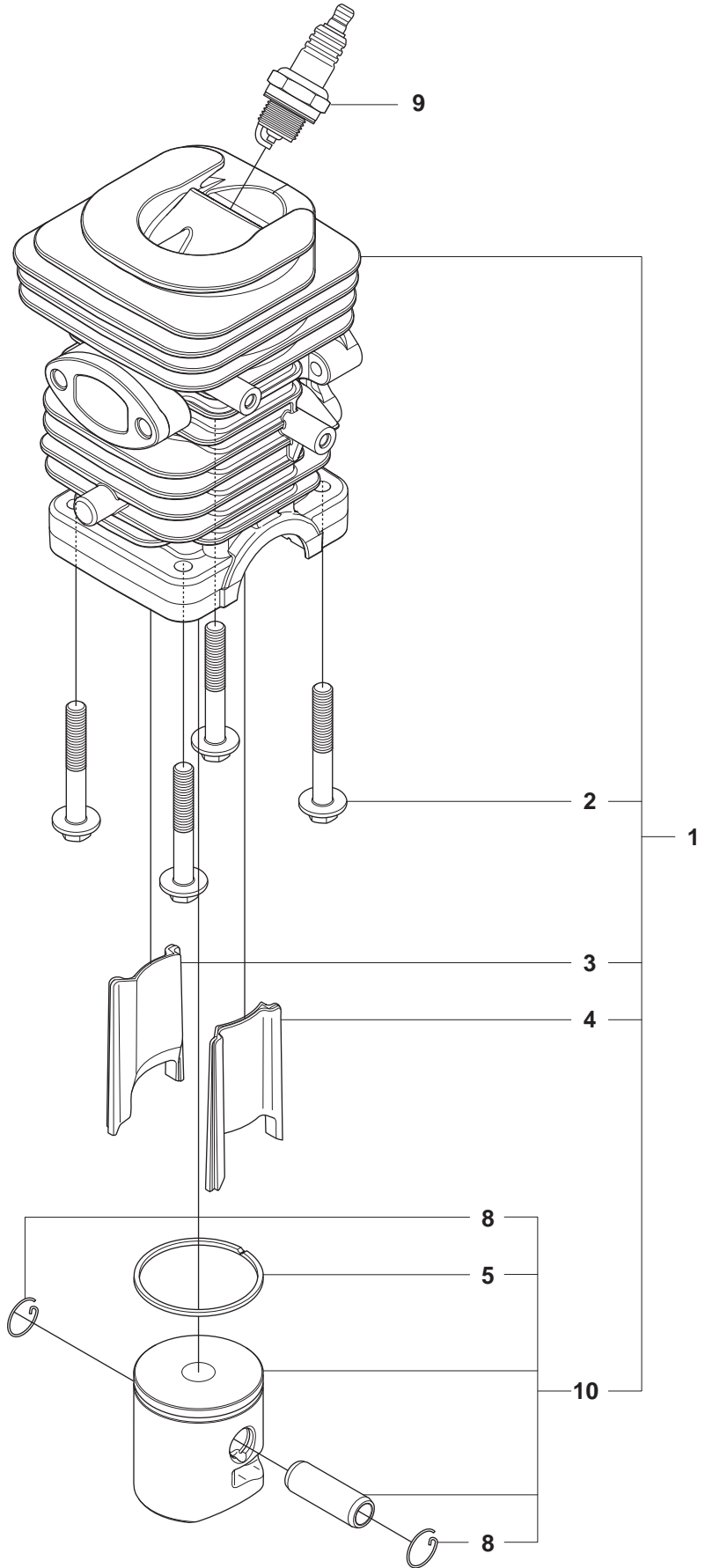
| Position | Article | Quantity | Description | Kit |
|-----------------|----------------|-----------------|-------------------------|------------|
| 1 | 574 26 64-01 | 1 | NUT, #10-24 BRASS | 8,9 |
| 2 | 545 07 69-01 | 1 | EXHAUST PLATE | 8,9 |
| 3 | 545 16 74-01 | 1 | SCREEN-ARRESTOR, GASKET | 8,9 |
| 4 | 545 19 99-01 | 2 | MUFFLER BOLT | 5,9 |
| 5 | 545 03 27-01 | 1 | MUFFLER ASSEMBLY | 9 |
| 6 | 530 05 48-84 | 1 | MUFFLER GASKET | 5,9 |
| 7 | 545 06 69-01 | 1 | MUFFLER BACK PLATE | 5,9 |
| 8 | 545 00 80-27 | 1 | KIT SPART ARRESTOR | 9 |
| 9 | 545 18 08-43 | 1 | KIT MUFFLER COMPLETE | |

G 240e TrioBrake



Page G 240e TrioBrake CARBURETOR AND AIR FILTER

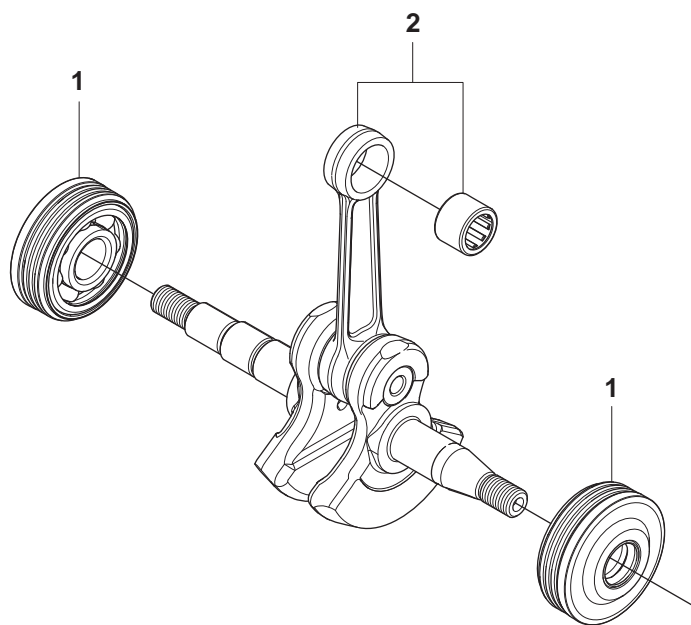
| Position | Article | Quantity | Description | Kit |
|-----------------|----------------|-----------------|--------------------------|------------|
| 1 | 574 71 94-02 | 1 | CARBURETOR (ZAMA) - REF. | |
| 2 | 545 06 28-01 | 1 | THROTTLE WIRE | |
| 3 | 545 06 21-01 | 1 | FILTER HOUSING | |
| 4 | 545 06 18-01 | 1 | AIR FILTER | |
| 5 | 545 15 18-01 | 1 | FILTER PLATE | |
| 6 | 530 01 61-01 | 2 | NUT, CARB | |
| 7 | 545 06 19-01 | 1 | ISOLATOR FILTER HOUSING | |
| 8 | 545 06 34-01 | 1 | SWITCH, SPRING | |
| 9 | 545 06 17-01 | 1 | SWITCH LEVER | |
| 10 | 545 06 16-01 | 1 | CHOKE KNOB | |
| 11 | 545 06 15-01 | 1 | CARB ADAPTOR SEAL | |
| 13 | 545 06 14-01 | 1 | CARB ADAPTOR | |
| 15 | 545 03 37-01 | 2 | STUD-CARBURETOR | |
| 16 | 545 15 83-01 | 4 | CARB ADAPTOR SCREW | |
| 17 | 530 01 60-80 | 1 | SCREW SWITCH | |
| 18 | 545 07 49-01 | 1 | TOP STUD-CARBURETOR | |
| 19 | 545 08 18-92 | 1 | GASKET KIT | |
| 20 | 530 01 63-49 | 1 | SCREW, FILTER PLATE | |



Page H 240e TrioBrake CYLINDER PISTON 34cc

| Position | Article | Quantity | Description | Kit |
|-----------------|----------------|-----------------|------------------------------|------------|
| 1 | 545 05 04-18 | 1 | KIT, CYLINDER & PISTON | |
| 2 | 545 08 15-01 | 4 | BOLT, CYLINDER | |
| 3 | 574 19 09-01 | 1 | TRANSFER INSERT LEFT 34c | |
| 4 | 574 19 08-01 | 1 | TRANSFER INSERT RIGHT 34cc | |
| 5 | 545 10 17-01 | 1 | PISTON RING | 10 |
| 8 | 530 01 56-97 | 2 | PISTON PIN RETAINER | 10 |
| 9 | 503 23 51-08 | 1 | PLUG-SPARK (RCJ-7Y) | |
| 10 | 545 08 18-93 | 1 | KIT PISTON 34cc 230/235/235e | |

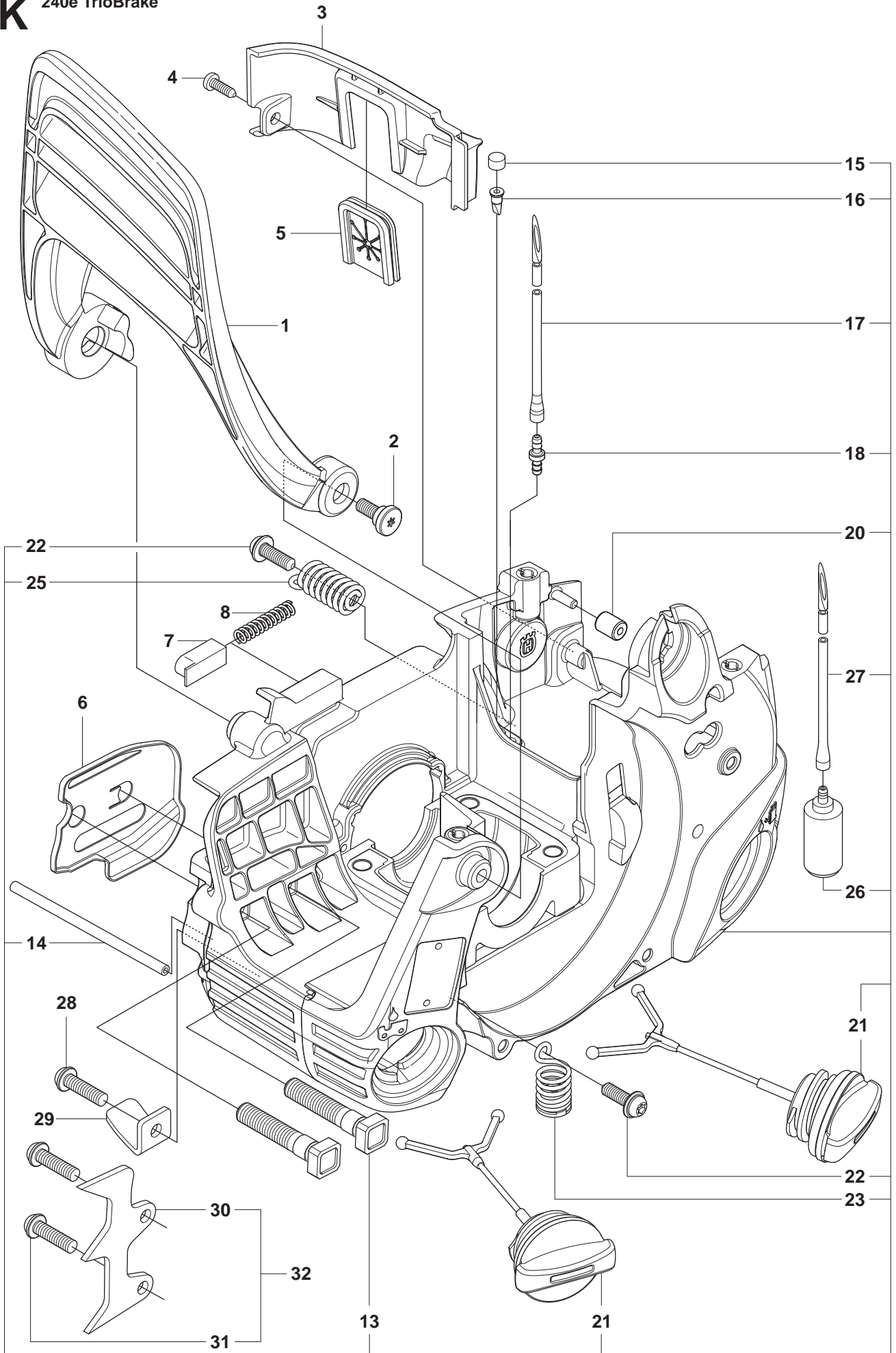
J 240e Triobrake



Page J 240e TrioBrake CRANKSHAFT

| Position | Article | Quantity | Description | Kit |
|-----------------|----------------|-----------------|--------------------------|------------|
| 1 | 530 05 63-63 | 2 | ASSY MAIN BEARING & SEAL | |
| 2 | 530 01 26-05 | 1 | ASSEMBLY CRANKSHAFT | |

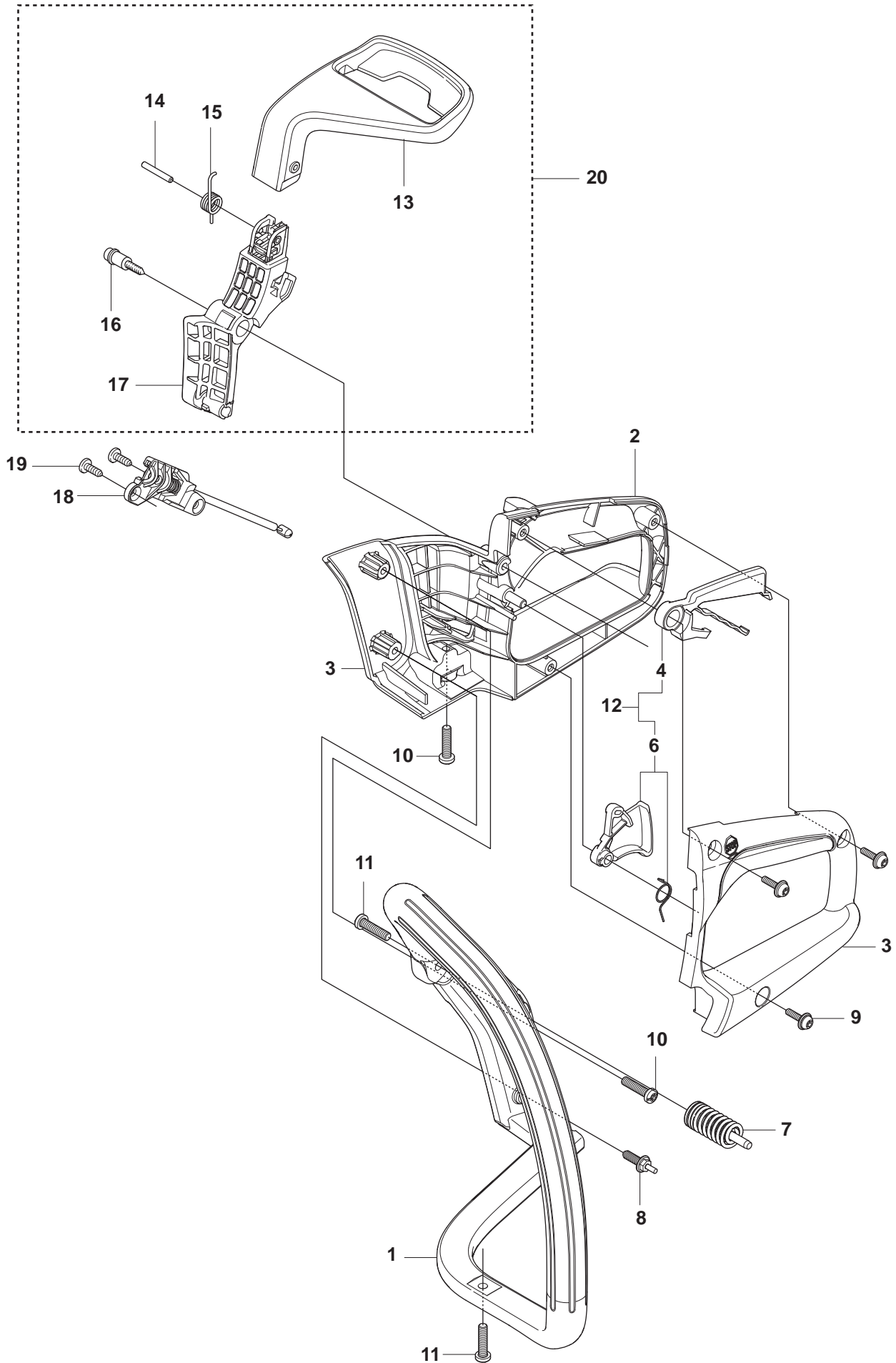
K 240e TrioBrake



Page K 240e TrioBrake CHASSIS & HAND GUARD

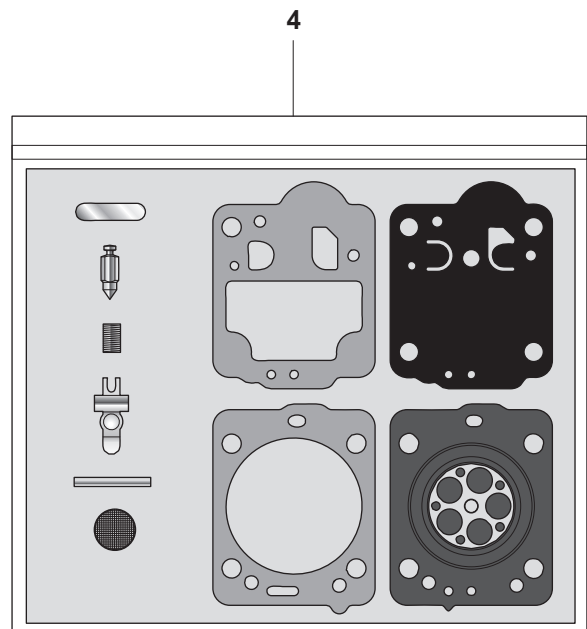
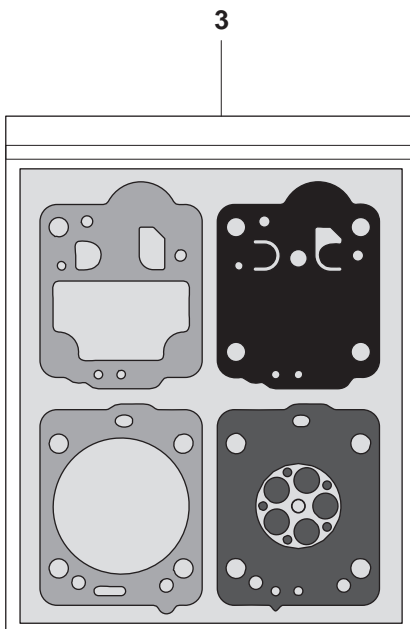
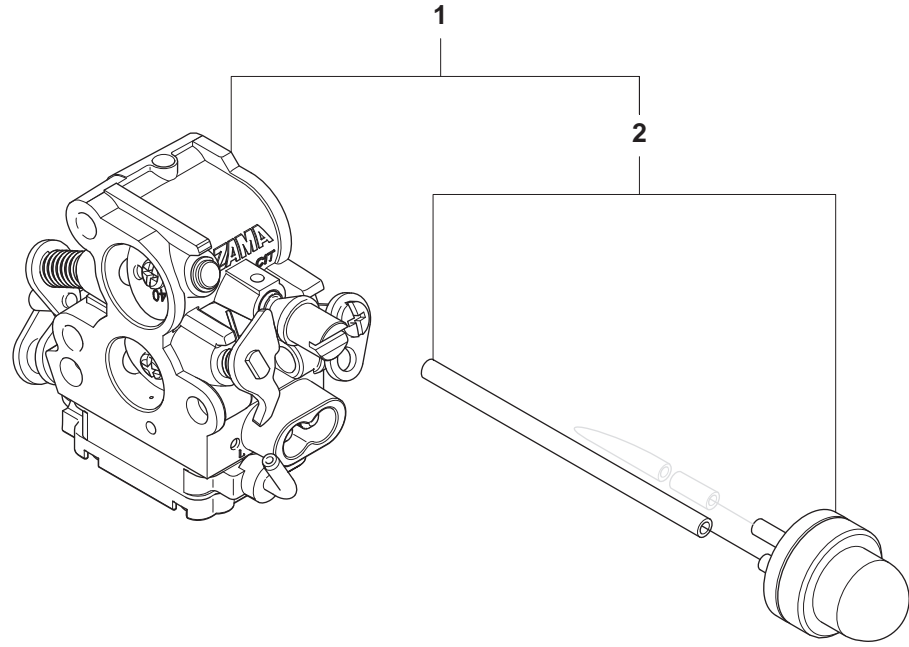
| Position | Article | Quantity | Description | Kit |
|-----------------|----------------|-----------------|-----------------------------|------------|
| 1 | 574 38 33-01 | 1 | HANDGUARD | |
| 2 | 545 12 73-01 | 1 | BOSS SCREW, HANDGUARD | |
| 3 | 545 06 12-01 | 1 | REAR WALL | |
| 4 | 530 01 60-64 | 1 | SCREW, MTG REAR WALL | |
| 5 | 545 07 54-01 | 1 | GROMMET, REAR WALL | |
| 6 | 545 07 14-01 | 1 | PLATE BAR MOUNTING | |
| 7 | 545 07 13-01 | 1 | CAP, SPRING HANDGUARD | |
| 8 | 545 07 12-01 | 1 | SPRING, HANDGUARD POSITION | |
| 11 | 525 52 74-01 | 1 | CHASSIS ASSEMBLY, TRIOBRAKE | |
| 13 | 529 31 03-01 | 2 | BOLT, BAR | 11 |
| 14 | 545 03 35-01 | 1 | ASSY, VENT LINE | 11 |
| 15 | 530 02 98-68 | 1 | PLUG VENT (BRONZE) | 11 |
| 16 | 530 02 61-19 | 1 | CHECK VALVE (DUCK BILL) | 11 |
| 17 | 530 02 11-32 | 1 | LINE-RETURN PURGE | 11 |
| 18 | 530 02 38-77 | 1 | FITTING- FUEL LINE | 11 |
| 20 | 545 06 19-01 | 1 | ISOLATOR FILTER HOUSING | 11 |
| 21 | 545 07 08-01 | 2 | ASSY-OIL/FUEL CAP W/RET. | 11 |
| 22 | 530 01 59-06 | 2 | SCREW M5.28X1.81X16MM PLAS | 11 |
| 23 | 545 03 38-01 | 1 | ASSY FRONT ISOLATOR | 11 |
| 25 | 545 06 31-01 | 1 | REAR ISOLATOR SPRING | 11 |
| 26 | 530 09 56-46 | 1 | ASSY- PICK-UP | 11 |
| 27 | 545 07 83-02 | 1 | LINE, FUEL | 11 |
| 28 | 530 01 58-14 | 1 | SCREW CATCHER | |
| 29 | 530 02 98-50 | 2 | HAIN CATCHER | |
| 30 | 530 03 89-90 | 1 | SPIKE | 32 |
| 31 | 530 01 64-39 | 2 | SCREW SPIKE | 32 |
| 32 | 530 01 43-81 | 1 | KIT SPIKE | |

240e TrioBrake



Page L 240e TrioBrake HANDLE AND CONTROLS

| Position | Article | Quantity | Description | Kit |
|-----------------|----------------|-----------------|--------------------------------|------------|
| 1 | 545 06 24-01 | 1 | FRONT HANDLE | |
| 2 | 545 21 54-01 | 1 | REAR HANDLE W/OVMLD 240e | |
| 3 | 545 06 23-02 | 1 | REAR HANDLE COVER W/OVMLD 240e | |
| 4 | 545 06 26-01 | 1 | LOCKOUT- THROTTLE | 12 |
| 6 | 545 12 15-01 | 1 | ASSY TRIGGER & SPRING | 12 |
| 7 | 545 03 39-01 | 1 | ASS'Y FRONT ISOLATOR | |
| 8 | 545 07 63-01 | 1 | ISOLATION LIMITER SCREW | |
| 9 | 530 01 64-33 | 3 | SCREW 8-16X15.1 PL PAN.TRX | |
| 10 | 530 01 63-49 | 2 | SCREW M5.28X1.81X16MM PLAS | |
| 11 | 530 01 64-32 | 2 | SREW M5.38-14X22.225MM | |
| 12 | 545 08 10-13 | 1 | KIT TRIGGER & LOCKOUT | |
| 13 | 545 21 50-01 | 1 | REAR GUARD | 20 |
| 14 | 721 12 13-30 | 1 | PIN | 20 |
| 15 | 545 21 57-01 | 1 | SPRING | 20 |
| 16 | 545 22 41-01 | 1 | SCREW, SHOULDER | 20 |
| 17 | 545 22 49-01 | 1 | PIVOT ARM | 20 |
| 18 | 545 21 51-01 | 1 | ASSY, CABLE | |
| 19 | 545 22 71-01 | 2 | SCREW 6-19X.437.PL.PAN | |
| 20 | 545 12 12-01 | 1 | ASSY, REAR GUARD | |

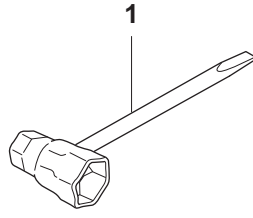


Page M 240e TrioBrake CARBURETOR DETAILS

| Position | Article | Quantity | Description | Kit |
|-----------------|----------------|-----------------|-------------------------|------------|
| 1 | 574 71 94-02 | 1 | CARB COMPLETE | |
| 2 | 545 00 80-30 | 1 | PURGE AND LINE ASSEMBLY | 1 |
| 3 | 545 00 80-31 | 1 | KIT CARB GASKET | |
| 4 | 545 00 80-32 | 1 | KIT CARB REPAIR | |

N

230, 235, 235e, 240, 240e



Page N 240e TrioBrake ACCESSORIES

| Position | Article | Quantity | Description | Kit |
|-----------------|----------------|-----------------|--------------------|------------|
| 1 | 530 03 11-35 | 1 | WRENCH | |